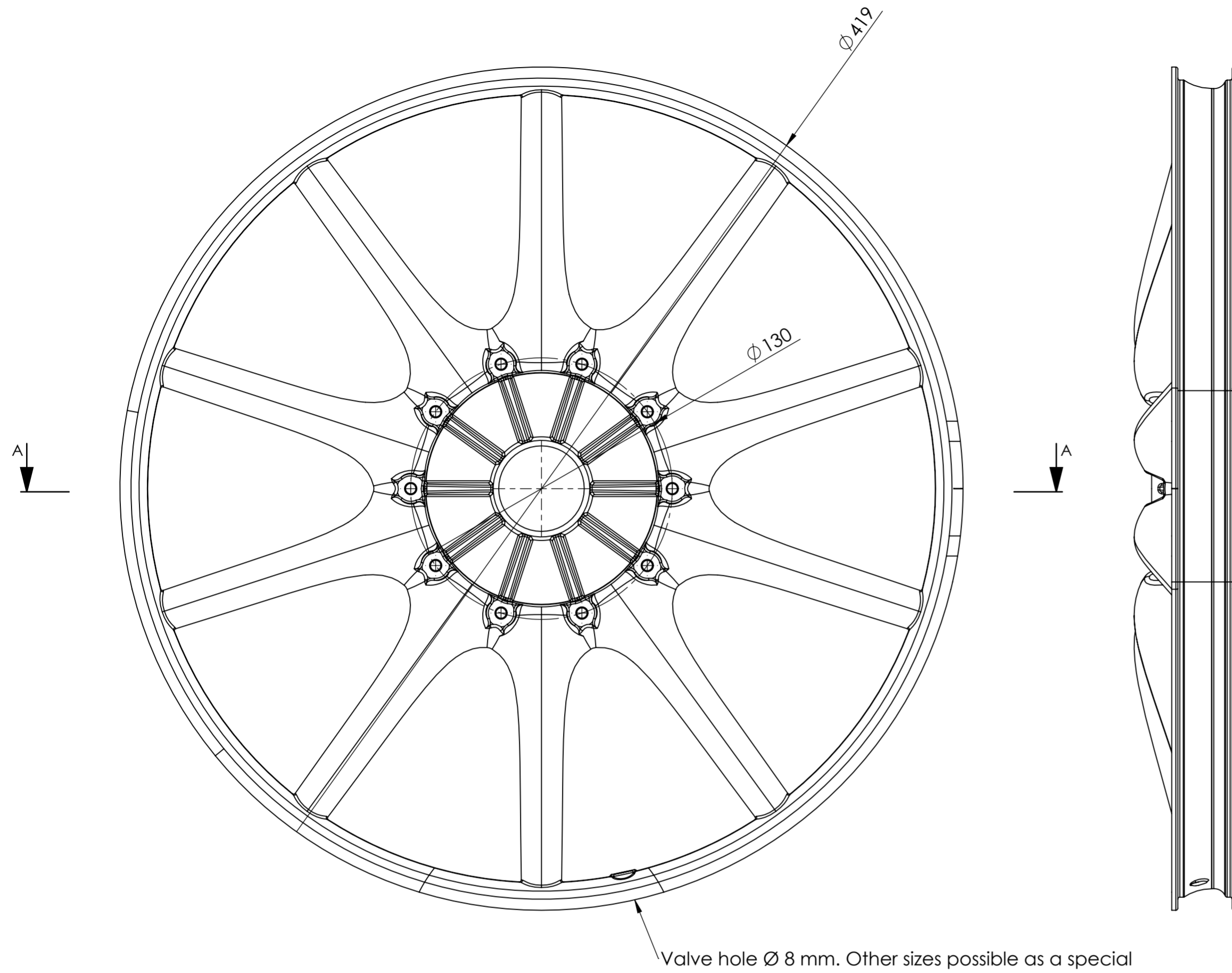
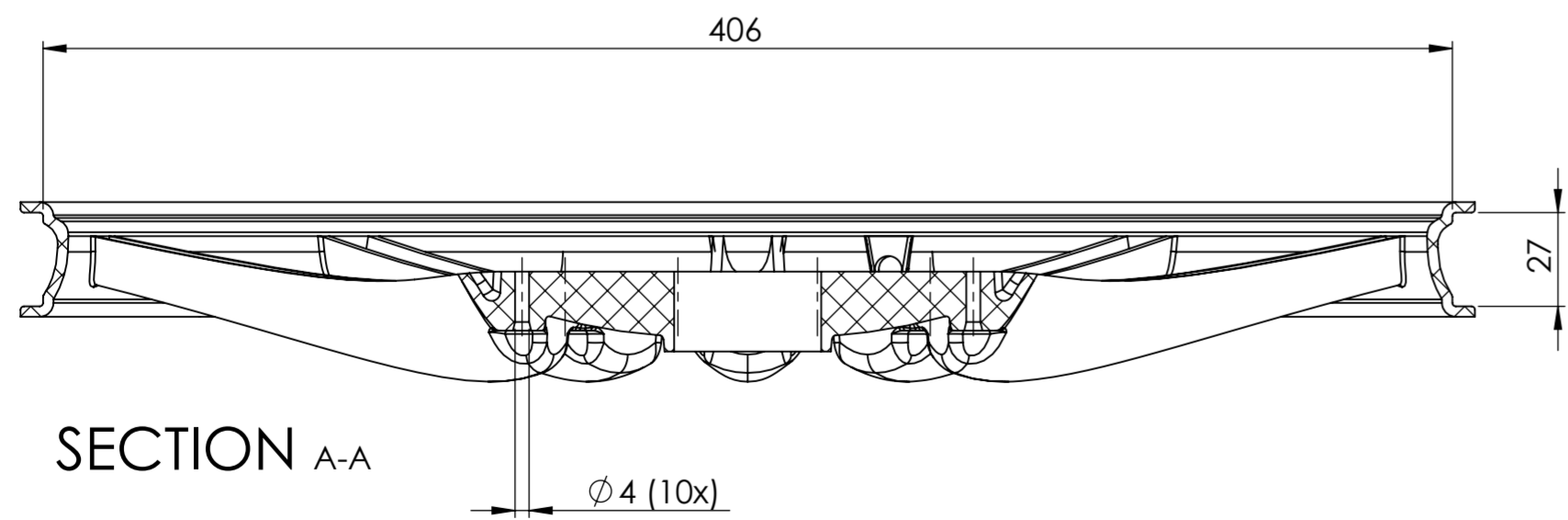


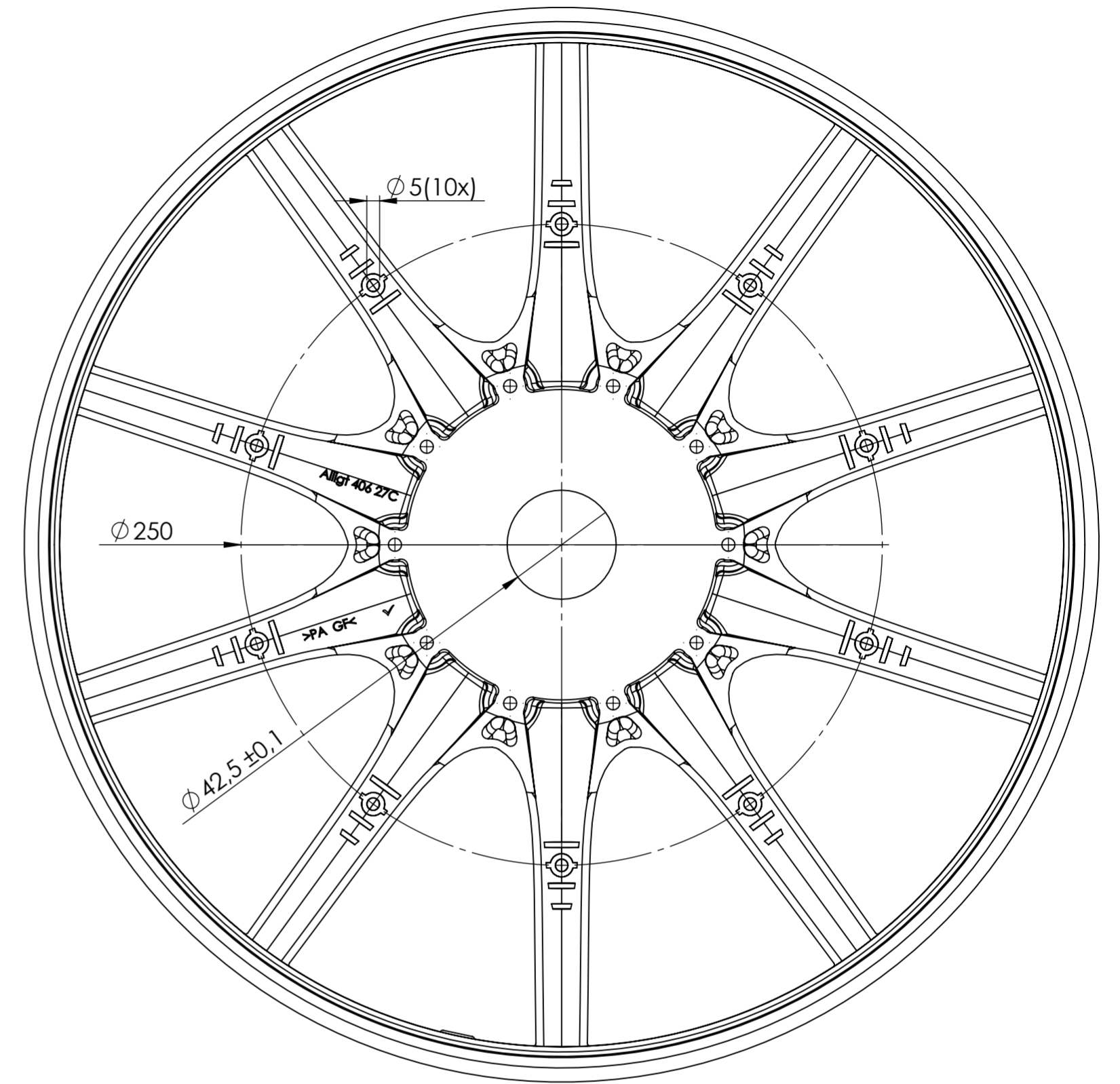
REVISIONS		
REV.	DATE	DESCRIPTION



Valve hole Ø 8 mm. Other sizes possible as a special



SECTION A-A



Dimensions in millimeters. Do not scale drawing. 3D files are leading. Unless otherwise specified R0 may be R0.2

3D file name = name + revision (without extension)

**Alligt CBW1 A**

Description

Material: PA 66 GF60  
 Weight (estm): 905 gram  
 Status: For production  
 General Tolerance:

Drawn JB  
 Drawing 20-11-2020  
 3D file 20-11-2020

**Bol design**

Bol Design  
 Babberichseweg 77  
 6905JS Zevenaar  
 The Netherlands  
 www.boldesign.nl

remarks:  
 Property of Alligt company. All rights reserved.  
 Eigendom van Fa. Alligt. Alle rechten voorbehouden

Finish  
 View  
 Other

SCALE: 1:2  
 A2 SHEET 1 OF 1